



COOLIDGE HOMEOWNERS' ASSOCIATION

PO Box 1086
Lincoln, NH 03251

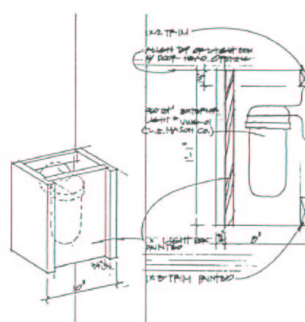
November 11, 2002

Dear Homeowner:

Herewith please find a letter sent to the association from the New Hampshire State Electrician Board. The letter indicates a violation concerning the shadow boxes and their fixtures.

The association has spoken with the inspector and explained that we are not a condo association but rather a homeowners association. This meaning, each homeowner is responsible for fixing the shadow box issue. We did tell the inspector that we would notify our members.

The original plans showed a fixture inside of the shadow box.



Exterior Light Box Detail #4 / D2

N.T.S.

We have been discussing the shadow box issue with Mike Harrington, a local electrician. Mike has also met with the inspector and has a few options for the shadow box fixture.

If you are a homeowner, we recommend you contact Mike and make arrangements to have your fixture changed. He can be reached at 603-381-7768



State of New Hampshire

ELECTRICIAN BOARD
OFFICE OF FIRE MARSHAL
P.O. BOX 648
CONCORD, NEW HAMPSHIRE 03302-0648
(603) 271-3748

George E Mathos
Chairman
Joan M DeLorie
R Peter Chierichetti
William A Yates
Daniel P O'Neil Jr
Donald P Bliss
Fire Marshal

www.state.nh.us/electrician

April 2, 2002

Mr. James Dauphine Mgr.
Coolidge Falls Condominiums
PO Box 1086
Lincoln, NH 03251

Dear Mr. Dauphine:

On March 22, 2002, I made an inspection at the [REDACTED] residence at the Coolidge Falls Condominiums. During this inspection, I found what, in my opinion, is a fire hazard posed by the homemade outdoor lighting fixtures that were installed on this residence and apparently on all the units in Coolidge Falls. The fixture itself is not listed for wet location. It is a porcelain fixture with an open lamp, wrapped on three sides with a combustible wood housing (See attached photo).

It is my opinion that all of these fixtures create a fire hazard and must be replaced by fixtures listed for the use. This shall be completed, on or before June 30, 2002, by a NH licensed electrician.

If you have any questions regarding this matter, please feel free to call me at my Concord office at (603) 271-3748.

Sincerely,

Henri W. Dionne Sr.
State Electrical Inspector

cc: Chief Clifton Dauphine